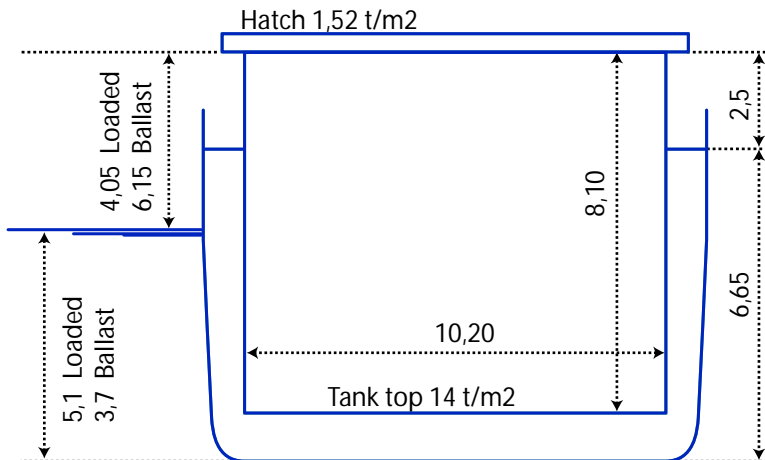
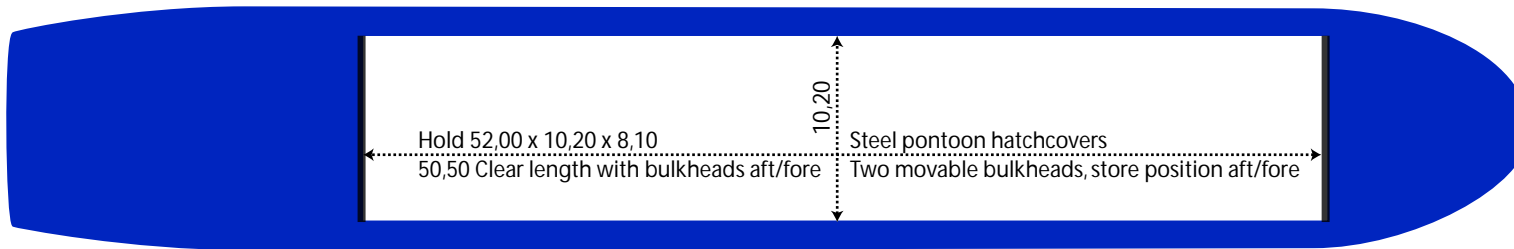
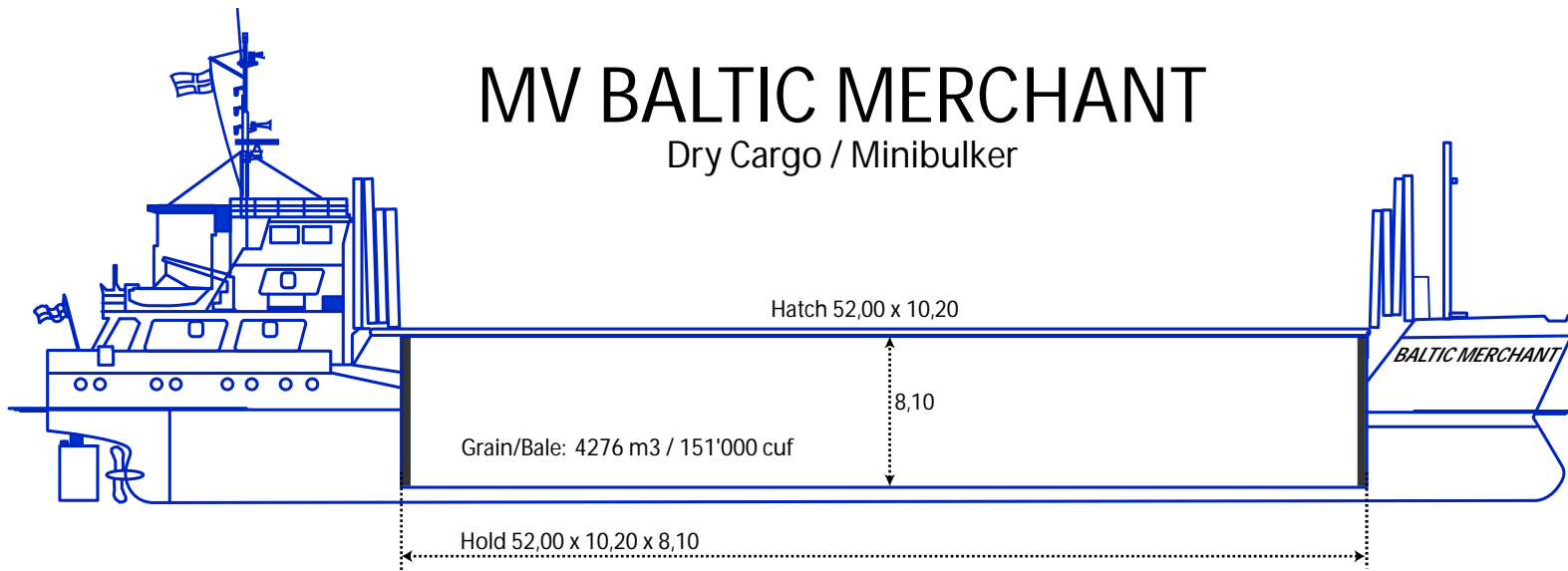


# MV BALTIC MERCHANT

Dry Cargo / Minibulker



## Ship's contacts

Tel: +358- 40 192 6200  
E-mail: balticmerchant@primas.fi

## TC Owner

Prima Shipping Oy Ab  
Tolkisvägen 773  
FIN-06750 TOLKIS  
FINLAND  
tel. info@primas.fi  
chartering@primas.fi  
www.primas.fi  
+358195211100

## Particulars

Name: mv Baltic Merchant  
Call sign: ZDFP2  
IMO Nr: 9138202  
Flag: Gibraltar  
Home port: Gibraltar  
Built: 1997  
Builder: Cassens / Germany  
Class: GL + 100 A 5 ME2  
Ice Class: Finnish/Swedish Ice 1B  
P&I: GARD

## Measurements

GT: 2280  
NT: 1244  
DWT: 3110  
DWCC Summer: 2950

## Main dimensions

LOA: 82,50  
LPP: 78,57  
Breadth: 12,50  
Depth mld: 6,65  
Draft: 5,1  
Airdraft: 24,2 (in ballast)  
Airdraft: 22,8 (loaded)

## Cargo hold

Grain/Bale: 4276 m<sup>3</sup> / 151'000 cuf  
Containers: 96 TEU (hold) / 32 TEU (deck)  
Tank top: 14 t/m<sup>2</sup>  
Hatch: 1,52 t/m<sup>2</sup>

## Propulsion

Main Engine: MaK 8M20  
ME Output: 1360 kW  
Bowthruster: Yes  
Propeller: CPP  
Speed (ballast): 10,5 kn max / 10,2 kn norm  
Speed (loaded): 10 kn max / 9,7 kn norm  
Consumption: 5,5 mt / day MGO

## Tankcapacity

Ballastwater: 1403 m<sup>3</sup>  
MGO: 95 mt