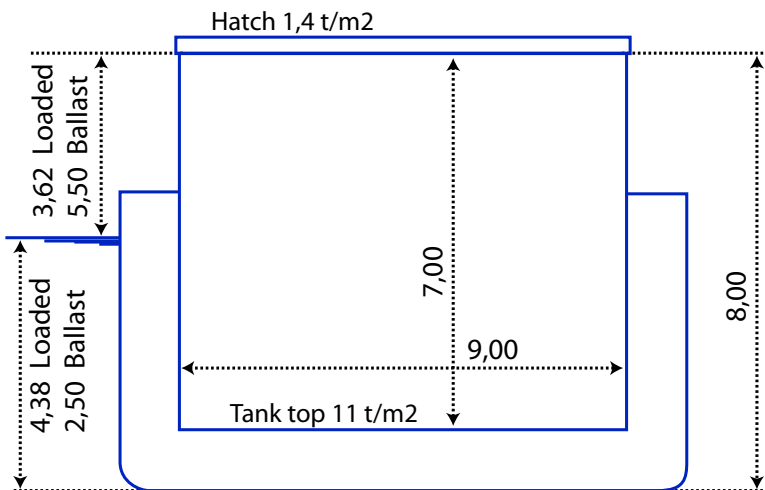
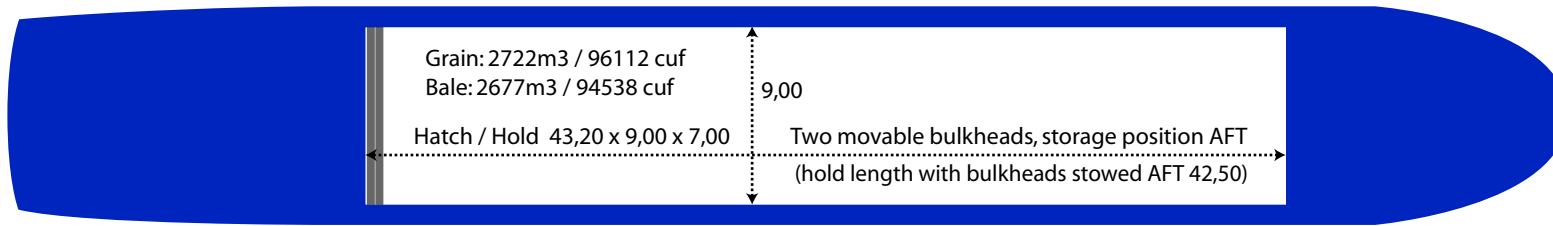
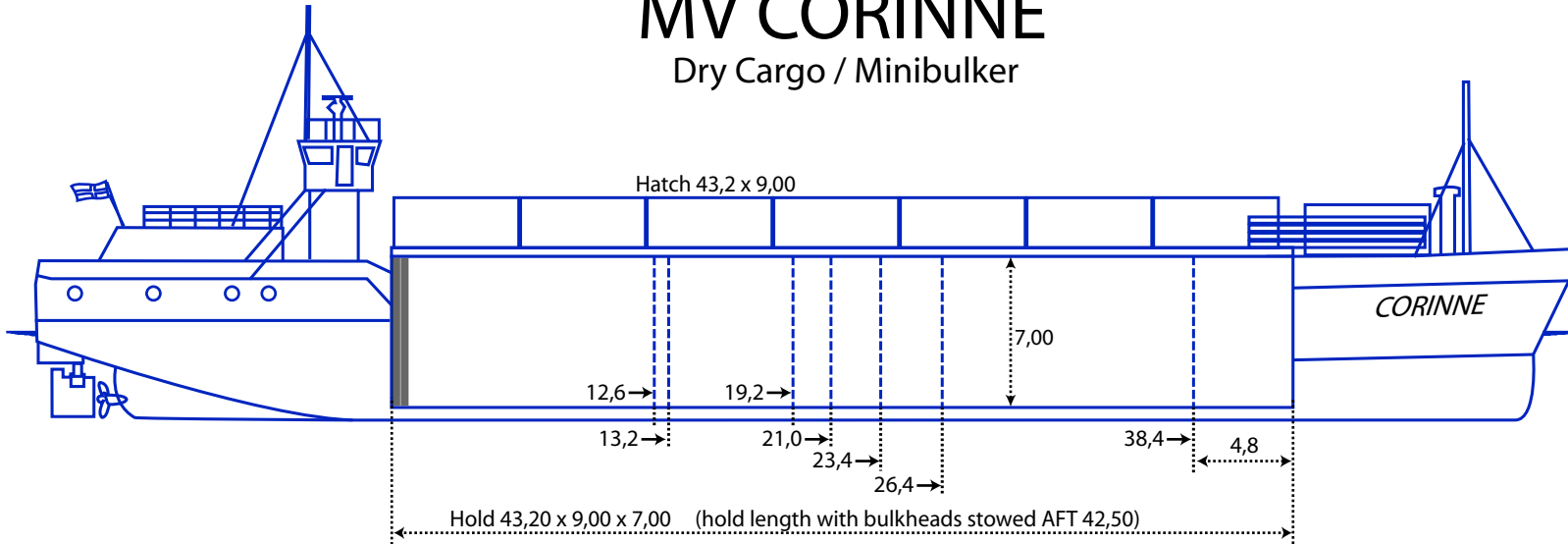


# MV CORINNE

Dry Cargo / Minibulker



## Ship's contacts

Tel/GSM: +358-40-867 7611  
 SatPhone/Iridium: +88-162-143 3018  
 E-mail: corinne@primas.fi

## Owner

GRAN SHIP OY AB  
 Tolkkisten Satamatie 9 info@primas.fi  
 FI-06750 Tolkkinen chartering@primas.fi  
 FINLAND www.primas.fi  
 tel. +358-19-5211 100

## Particulars

Name: mv Corinne  
 Call sign: OJQU  
 IMO Nr: 8912481  
 Flag: Finland  
 Home port: Borgå  
 Built: 1990  
 Builder: JG Hitzler Schiffswerft und Masch GmbH & Co KG - Lauenburg  
 Class: RINA  
 Ice class: Finnish/Swedish Ice II  
 P&I: Alandia Bolagen

## Measurements

GT: 1524  
 NT: 783  
 DWT: 2172  
 DWCC Summer: 2050  
 DWCC Winter: 2000

## Main dimensions

LOA/LPP: 73,85 / 70,20  
 Breadth mld: 11,50  
 Depth mld: 5,40  
 Draft: 4,38  
 Aircraft: 23  
 Deck cargo: 4,0 m AFT -> 2,5 m FWD

## Cargo hold

Grain: 2722m3 / 96112 cuf  
 Bale: 2677m3 / 94538 cuf  
 Tank top: 11 t/m2  
 Hatch: 1,4 t/m2

## Propulsion

Main Engine: MaK 6M332  
 ME Output: 749 kW  
 Bowthruster: Yes, 180 kW  
 Propeller: 4-blade, fixed  
 Speed (ballast): 10,5 kn  
 Speed (loaded): 10 kn  
 Consumption: 4,8 m3/d MGO (full speed)  
 2,8 m3/d MGO (economy)

## Tank capacity

Ballastwater: 1083 m3  
 MGO: 109,1 m3