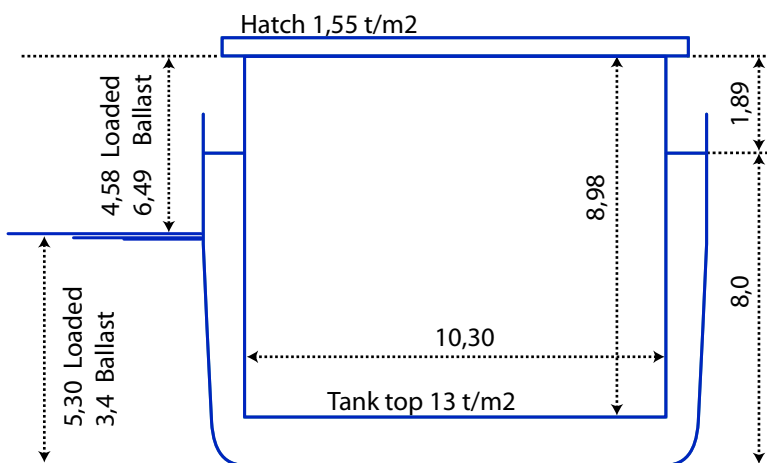
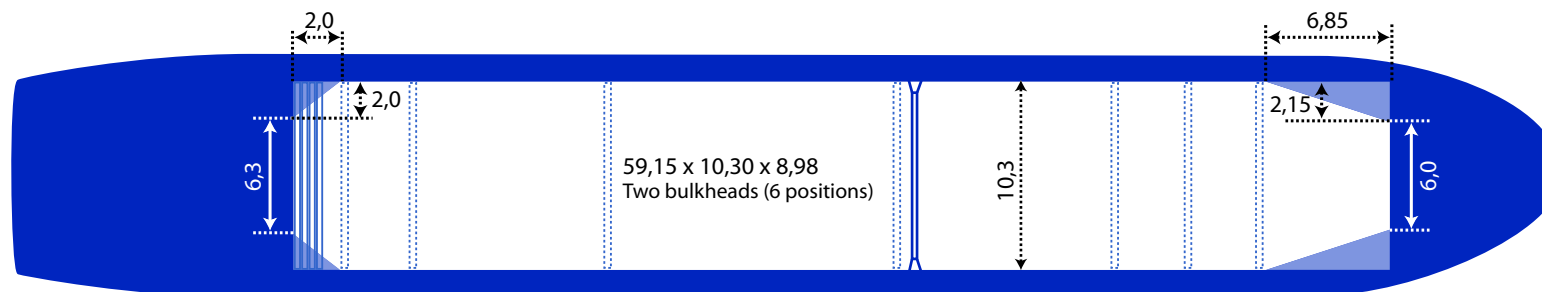
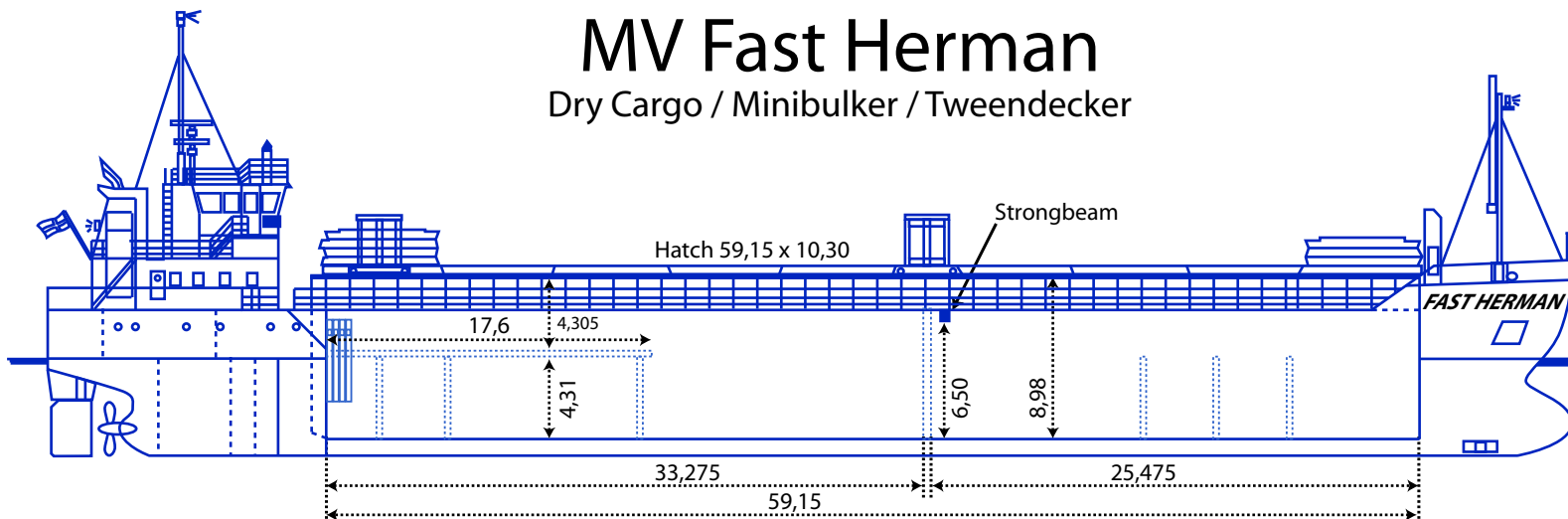


MV Fast Herman

Dry Cargo / Minibulker / Tweendecker



Ship's contacts

Tel: +358-40 063 0523
E-mail: fastherman@primas.fi

TC Owner

Prima Shipping Oy Ab
Tolkisvägen 773 info@primas.fi
FIN-06750 TOLKIS chartering@primas.fi
FINLAND www.primas.fi
tel. +358195211100

Particulars

Name: mv Fast Herman
Call sign: ONIO
IMO Nr: 9345362
Flag: Belgium
Home port: Antwerpen
Built: 2006
Builder: Bodewes / Poland
Class: BV
Ice Class: Finnish/Swedish Ice 1A
P&I: The Standard Club Europe Ltd

Measurements

GT: 2474
NT: 1464
DWT: 3459
DWCC Summer: 3224

Main dimensions

LOA: 82,50
LPP: 79,54
Breadth: 12,50
Depth mld: 6,80
Draft: 5,30
Airdraft: 13,5 (ballast)

Cargo hold

Grain: 5328m³ / 188'148 cuf
(without 2 bulkheads)
Bale: 5259m³ / 185'695 cuf
(with 2 bulkheads in store pos. aft)
Hold/Hatch TEU: 102 / 34
Tank top: 13 t/m²
Tweendeck: 1,80 t/m²
Hatch: 1,55 t/m²

Propulsion

Main Engine: MaK 6M25
ME Output: 1850 kW
Bowthruster: Yes, 220 kW
Propeller: CPP
Speed (ballast): 12 kn max / 11,5 kn norm
Speed (loaded): 10,5 kn max / 10 kn norm
Consumption: 5,5 m³ / day MGO

Tankcapacity

Ballastwater: 1495 m³
MGO: 311 m³