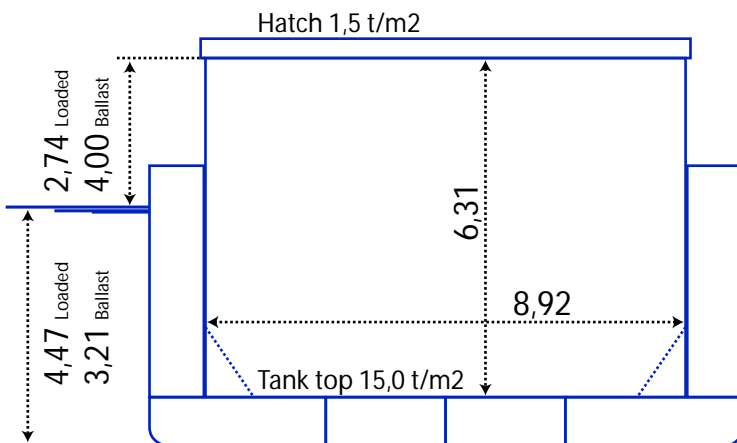
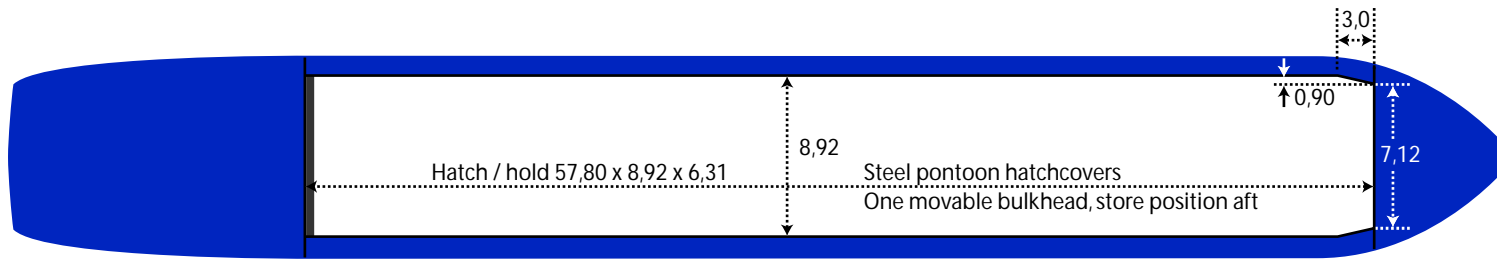
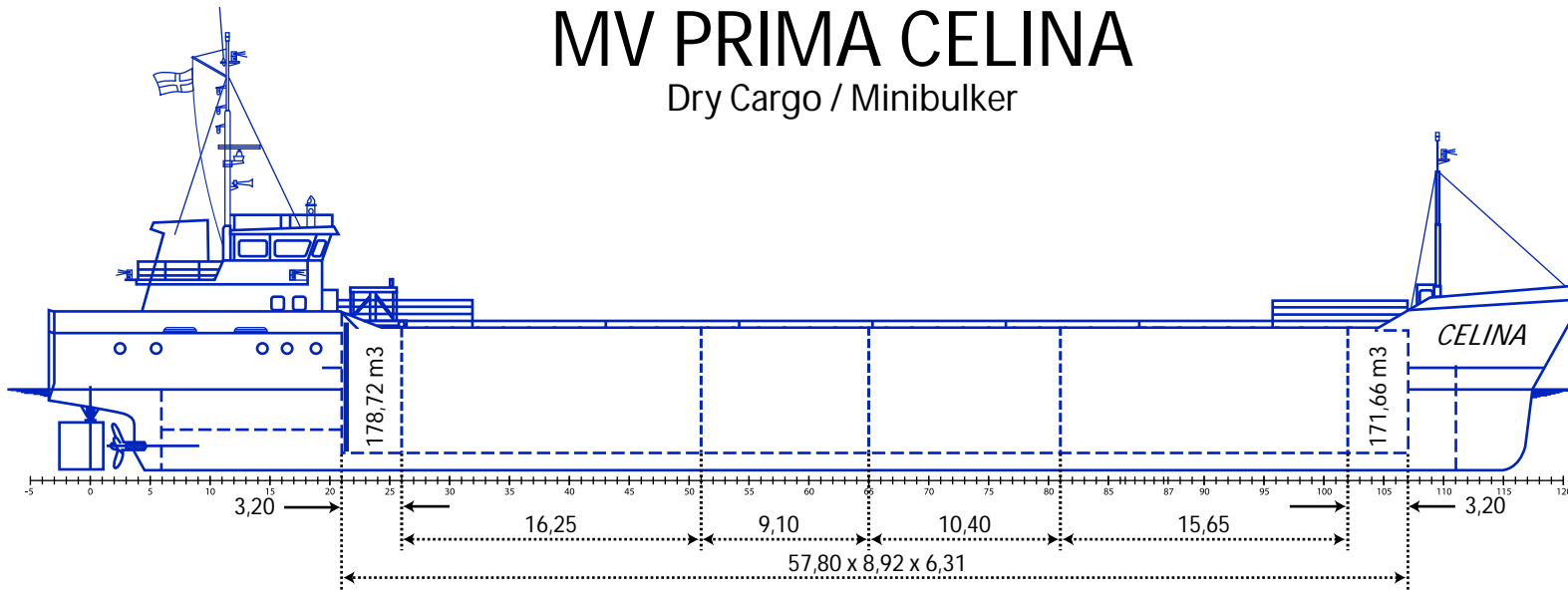


MV PRIMA CELINA

Dry Cargo / Minibulker



Ship's contacts

Tel/GSM: +358-400-516 316
 SatPhone/Iridium: +88-162-243 2043
 E-mail: celina@primas.fi

Owner

Prima Shipping Oy Ab
 Tolkisvägen 773 info@primas.fi
 FIN-06750 TOLKIS chartering@primas.fi
 FINLAND www.primas.fi
 tel. +358195211100

Particulars

Name: mv Prima Celina
 Call sign: OJNI
 IMO Nr: 9030230
 Flag: Finland
 Home port: Borgå
 Built: 1992
 Builder: Scheepswerf Bijlsma Netherlands
 Class: RINA
 Ice Class: Finnish/Swedish Ice II
 P&I: Alandia Bolagen

Measurements

GT: 1599
 NT: 874
 DWT: 2521
 DWCC Summer: 2400
 DWCC Winter: 2350

Main dimensions

LOA: 82,00
 LPP: 77,20
 Breadth: 11,00
 Depth mld: 5,67
 Draft: 4,47
 Airdraft ballast: 24,4 (masts lowered 10,8)
 Airdraft loaded: 23,1 (masts lowered 9,5)
 Deck cargo: Max height 350 cm

Cargo hold

Grain/bale: 3239 m3 / 114379 cuf
 Timber cap: 3400 m3 LP
 Tank top: 15,0 t/m2
 Hatch: 1,5 t/m2

Propulsion

Main Engine: Caterpillar 3512 DI-TA
 ME Output: 749 kW
 Bowthruster: Scania 230 kW
 Propeller: 4-blade, fixed pitch
 Speed (ballast): 11,0 kn
 Speed (loaded): 10,0 kn
 Consumption: 4,5m3 / day MDO

Tankcapacity

Ballastwater: 1024,7 m3
 MGO: 136,04 m3