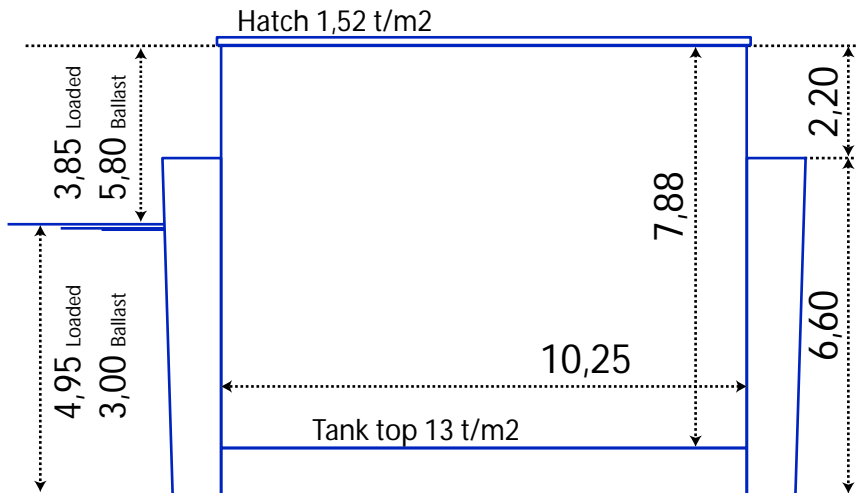
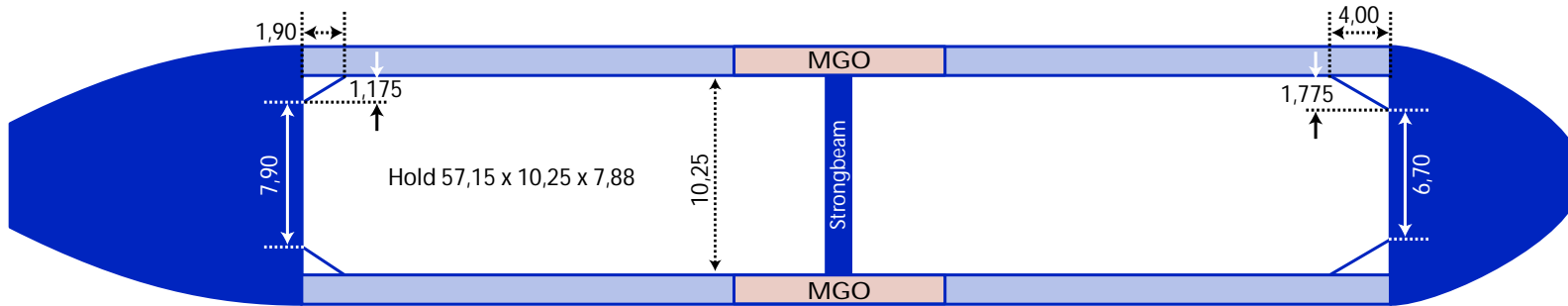
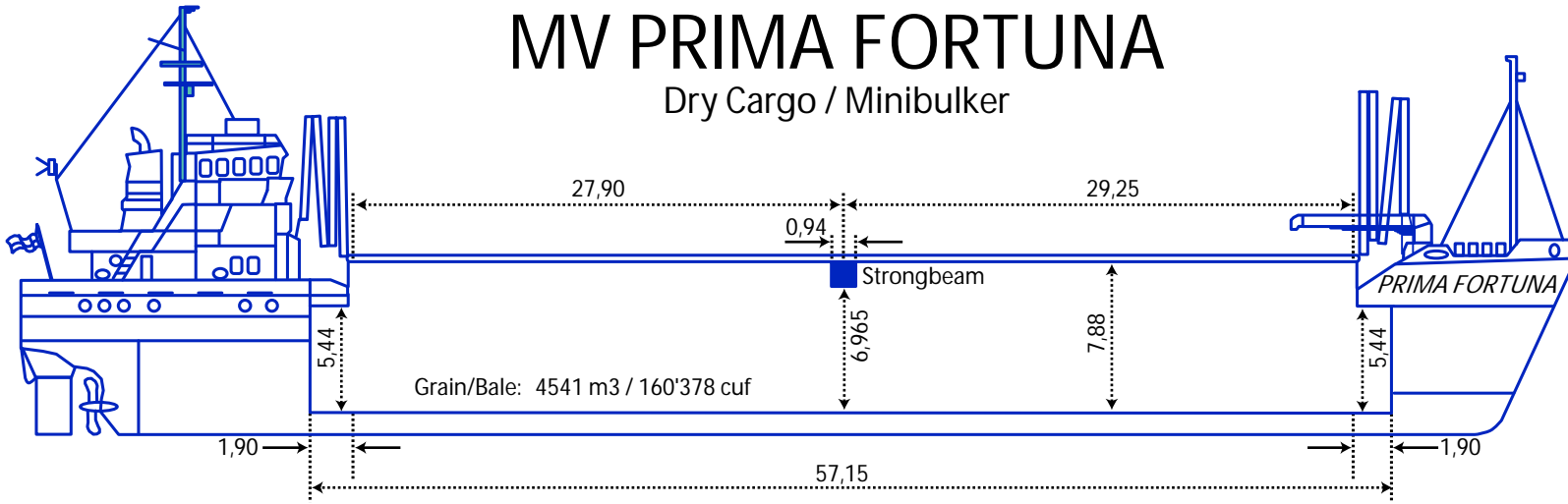


# MV PRIMA FORTUNA

## Dry Cargo / Minibulker



<b>Ship's contacts</b>	
Tel/GSM:	+358-40-9052364
E-mail:	fortuna@primas.fi
<b>Owner</b>	
Sal Ship Oy Ab	info@primas.fi
Tolkisvägen 773	chartering@primas.fi
FIN-06750 TOLKIS	www.primas.fi
FINLAND	+358195211100
tel.	

### Particulars

Name:	mv Prima Fortuna
Call sign:	OJPF
IMO Nr:	8817368
Flag:	Finland
Home port:	Borgå
Built:	1990
Builder:	Ferus Smit/ Netherlands
Class:	RINA
Ice Class:	Finnish/Swedish Ice 1B
P&I:	Alandia Bolagen

### Measurements

GT:	1999
NT:	1203
DWT:	3015
DWCC Summer:	2900

### Main dimensions

LOA:	82,00
LPP:	78,2
Breadth:	12,5
Depth mld:	6,6
Draft:	4,95
Airdraft:	23 (ballast)

### Cargo hold

Grain/Bale:	4541 m <sup>3</sup> / 160'378 cuf
Containers:	96 TEU (hold) / 32 TEU (deck)
Timber cap:	4400 m <sup>3</sup> (length packages)
Tank top:	13 t/m <sup>2</sup>
Hatch:	1,52 t/m <sup>2</sup>

### Propulsion

Main Engine:	Caterpillar 3606 TA
ME Output:	1680 kW
Bowthruster:	Yes, 250 hp
Propeller:	Pitch
Speed (ballast):	11,8 kn
Speed (loaded):	10,3 kn
Consumption:	6-6,5m <sup>3</sup> / day MGO

### Tankcapacity

Ballastwater:	1150 m <sup>3</sup>
MGO:	120 m <sup>3</sup>