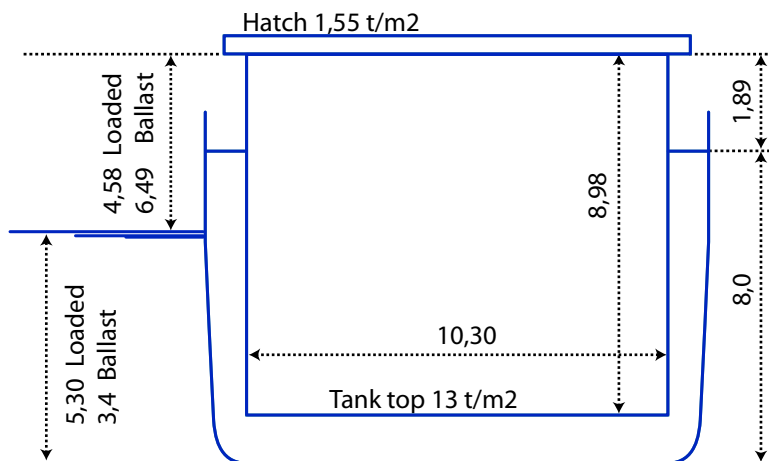
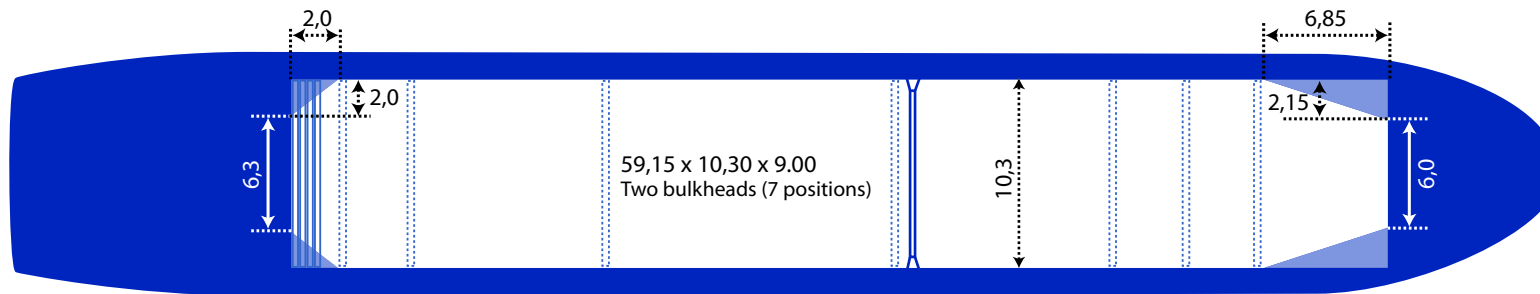
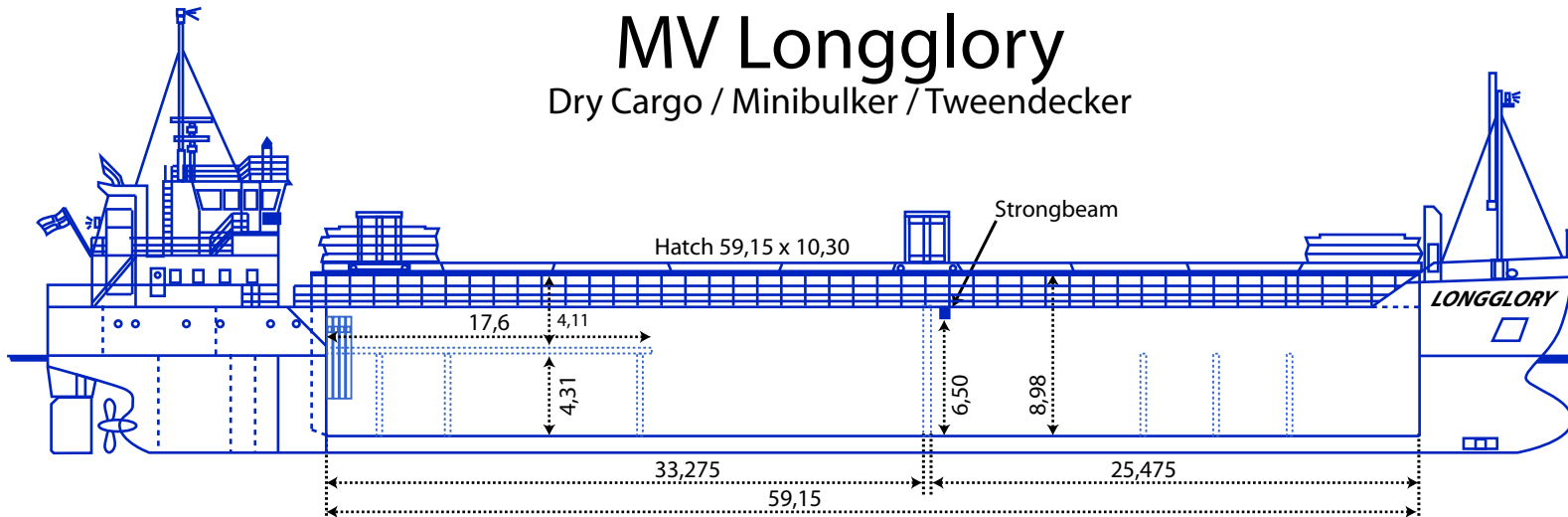


# MV Longglory

Dry Cargo / Minibulker / Tweendecker



## Ship's contacts

Tel: +358-40 487 8533  
E-mail: longglory@primas.fi

## TC Owner

Prima Shipping Oy Ab  
Tolkkisten Satamatie 9  
FI-06750 Tolkkinen  
FINLAND  
tel. info@primas.fi  
chartering@primas.fi  
www.primas.fi  
+358-19-5211 100

## Particulars

Name: mv Longglory  
Call sign: PBLG  
IMO Nr: 9279408  
Flag: Netherlands  
Home port: Rotterdam  
Built: 2003  
Builder: Bodewes / Poland  
Class: BV  
Ice Class: Finnish/Swedish Ice 1A  
P&I: NNPI

## Measurements

GT: 2474  
NT: 1464  
DWT: 3459  
DWCC: 3250

## Main dimensions

LOA: 82,50  
LPP: 79,54  
Breadth: 12,50  
Depth mld: 6,80  
Draft: 5,30  
Airdraft: 13,5 (ballast)

## Cargo hold

Grain: 5328m<sup>3</sup> / 188'148 cuf  
(without 2 bulkheads)  
Bale: 5259m<sup>3</sup> / 185'695 cuf  
(with 2 bulkheads in store pos. aft)  
Hold/Hatch TEU: 102 / 34  
Tank top: 13 t/m<sup>2</sup>  
Tweendeck: 1,80 t/m<sup>2</sup>  
Hatch: 1,55 t/m<sup>2</sup>

## Propulsion

Main Engine: MaK 6M25  
ME Output: 1850 kW  
Bowthruster: Yes, 220 kW  
Propeller: CPP  
Speed (ballast): 12 kn max / 11,5 kn norm  
Speed (loaded): 10,5 kn max / 10 kn norm  
Consumption: 5,5 m<sup>3</sup> / day MGO

## Tankcapacity

Ballastwater: 1495 m<sup>3</sup>  
MGO: 311 m<sup>3</sup>