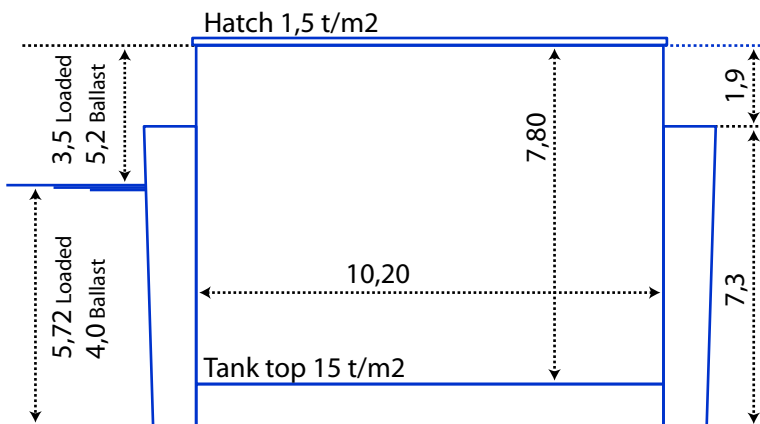
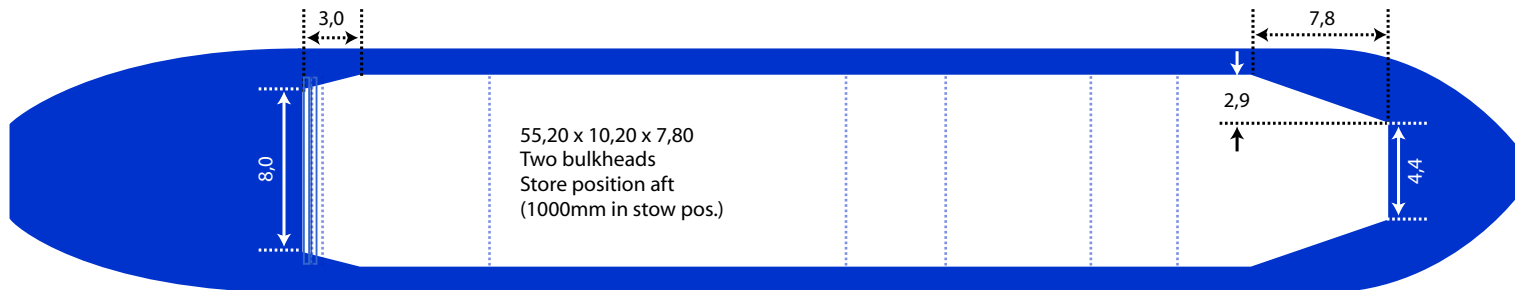
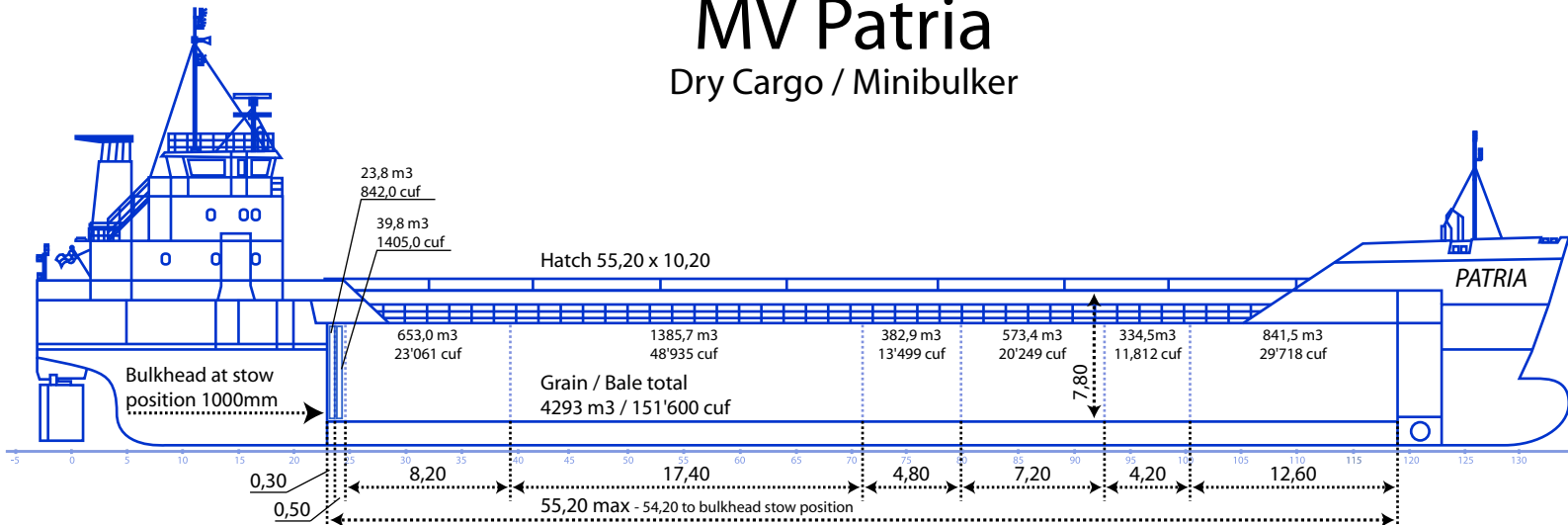


MV Patria

Dry Cargo / Minibulker



Ship's contacts

Tel: +358-40 194 1557
E-mail: patria@primas.fi

TC Owner

Prima Shipping Oy Ab
Tolkkisten Satamatie 9
FI-06750 Tolkkinen
FINLAND
tel. info@primas.fi
chartering@primas.fi
www.primas.fi
+358-19-5211 100

Particulars

Name: mv Patria
Call sign: P3YL6
IMO Nr: 9123312
Flag: Cyprus
Home port: Limassol
Built: 1995
Builder: Hugo Peters
Class: DNVGL
Ice Class: Finnish/Swedish Ice 1B
P&I: British Marine

Measurements

GT: 2210
NT: 1245
DWT: 3519
DWCC summer: 3200
DWCC winter: 3100

Main dimensions

LOA: 82,38
LPP: 78,90
Breadth: 12,50
Depth mld: 7,20
Draft: 5,72
Airdraft: 20,9 (ballast)

Cargo hold

Grain/Bale: 4293m³ / 151'600 cuf
Timber sea/unsea: 4500 / 3100
Hold/Hatch TEU: 90 / 40
Tank top: 15 t/m²
Tweendeck: 1,80 t/m²
Hatch: 1,55 t/m²

Propulsion

Main Engine: Wärtsilä 6L 28B
ME Output: 1400 kW
Bowthruster: Yes, 130 kW
Propeller: CPP
Speed (ballast): 12 kn max / 11,5 kn norm
Speed (loaded): 11,5 kn max / 11 kn norm
Consumption: 8,0m³ / day MGO

Tankcapacity

Ballastwater: 1340 m³
MGO: 248 m³