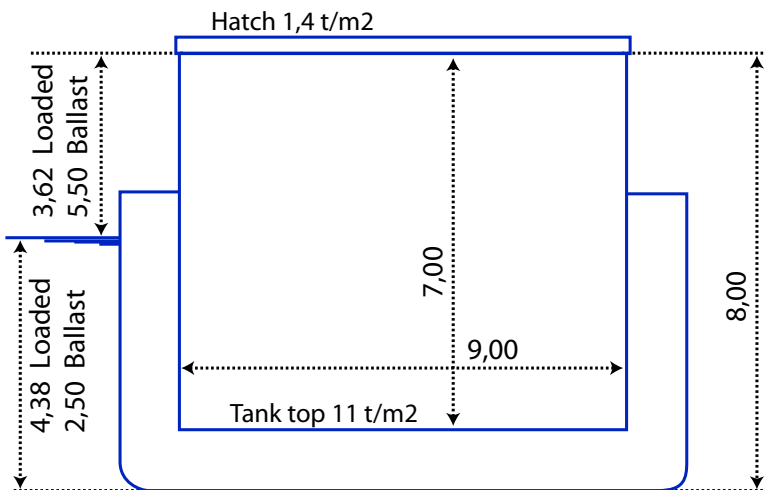
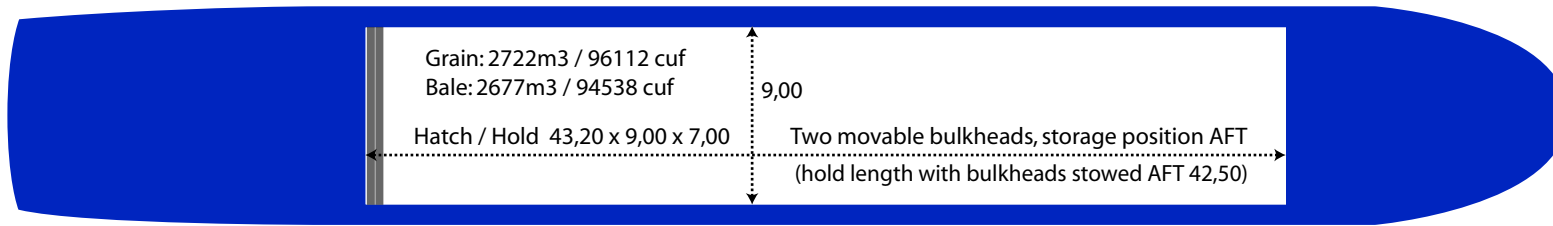
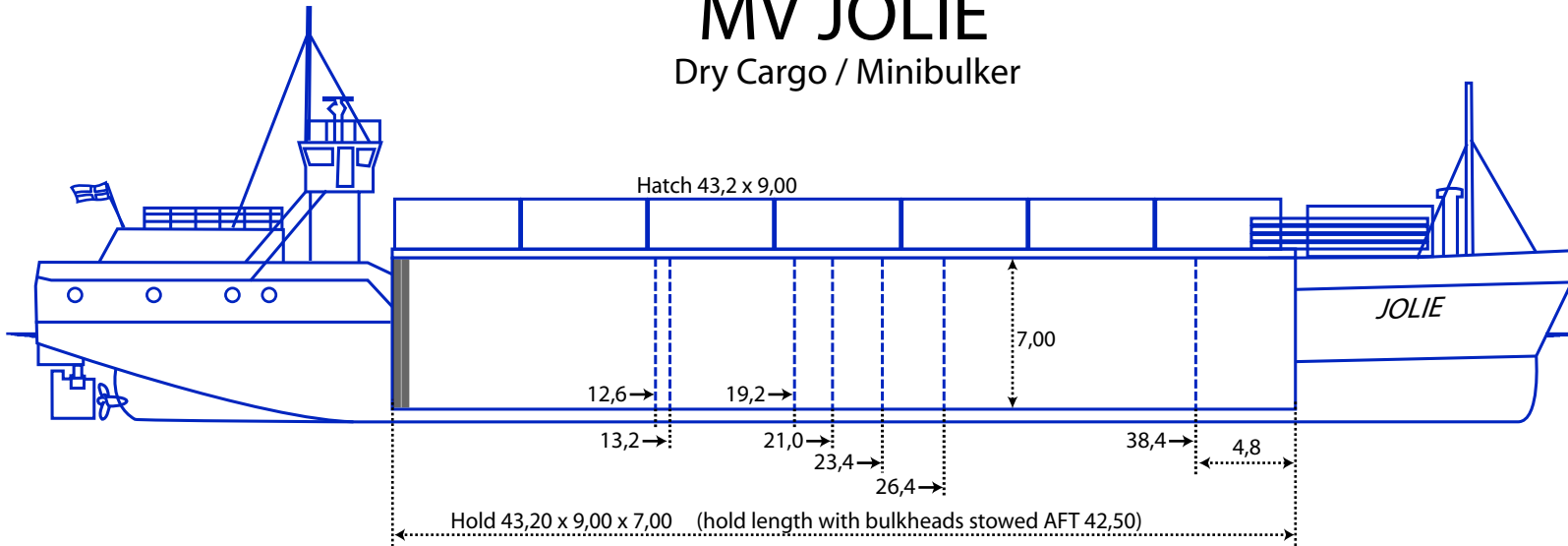


MV JOLIE

Dry Cargo / Minibulker



Ship's contacts

Tel/GSM: +358-40-164 7336
E-mail: jolie@rabn.fi

Owner

Rederi Ab Nathalie
Huolintakatu 5 (2nd floor)
FIN-20200 chartering@primas.fi
FINLAND www.primas.fi
owners@rabn.fi +358-19-5211 100

Particulars

Name: mv JOLIE
Call sign: OJQU
IMO Nr: 8912481
Flag: Finland
Home port: Mariehamn
Built: 1990
Builder: JG Hitzler Schiffswerft und Masch GmbH & Co KG - Lauenburg
Class: RINA
Ice class: Finnish/Swedish Ice II
P&I: Alandia Bolagen

Measurements

GT: 1524
NT: 783
DWT: 2172
DWCC Summer: 2050
DWCC Winter: 2000

Main dimensions

LOA/LPP: 73,85 / 70,20
Breadth mid: 11,50
Depth mid: 5,40
Draft: 4,38
Airdraft: 23
Deck cargo: 4,0 m AFT -> 2,5 m FWD

Cargo hold

Grain: 2722m³ / 96112 cuf
Bale: 2677m³ / 94538 cuf
Tank top: 11 t/m²
Hatch: 1,4 t/m²

Propulsion

Main Engine: MaK 6M332
ME Output: 749 kW
Bowthruster: Yes, 180 kW
Propeller: 4-blade, fixed
Speed (ballast): 10,5 kn
Speed (loaded): 10 kn
Consumption: 4,8 m³/d MGO (full speed)
2,8 m³/d MGO (economy)

Tank capacity

Ballastwater: 1083 m³
MGO: 109,1 m³