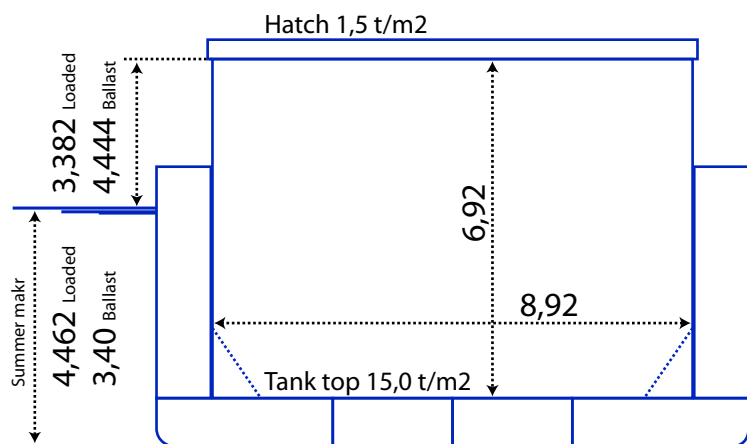
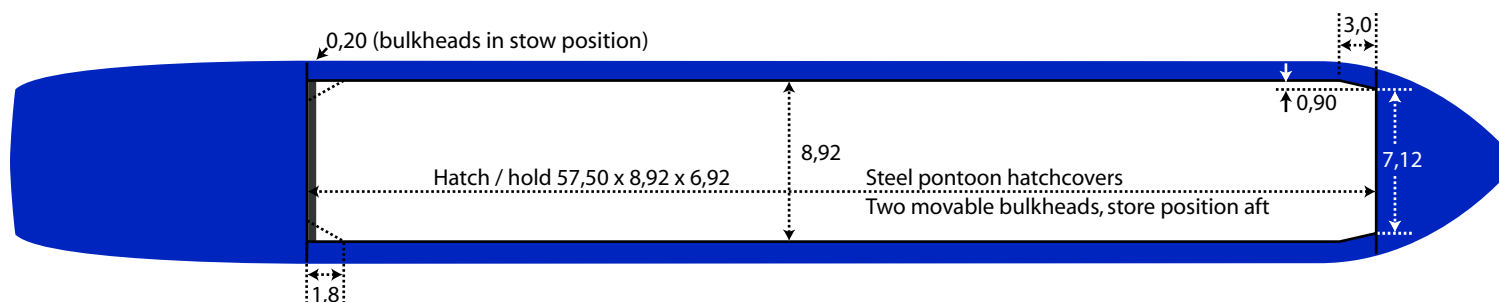
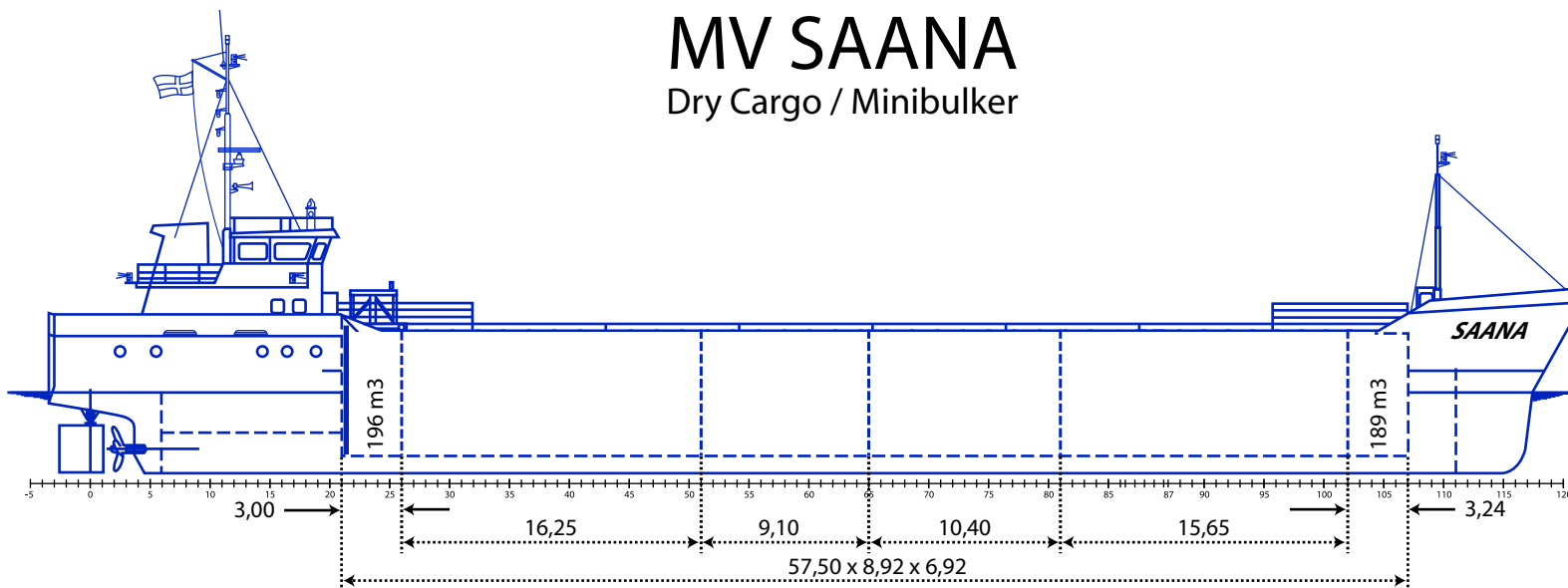


MV SAANA

Dry Cargo / Minibulker



Ship's contacts

Tel/GSM: +358-400-415 070
E-mail: saana@oho-g.com

Owner

Prima Shipping Oy Ab
Tolkkisten Satamatie 9
FI-06750 Tolkkinen
FINLAND
tel. info@primas.fi
chartering@primas.fi
www.primas.fi
+358 19 521 1100

Particulars

Name: mv Saana
Call sign: 5BUC5
IMO Nr: 9075357
Flag: Cyprus
Home port: Limassol
Built: 1993
Builder: Scheepswerf Bijlsma
Netherlands
Class: RINA C AUT-UMS ICE CLASS ID
Ice Class: Finnish/Swedish Ice II / E
P&I: Alandia

Measurements

GT: 1681
NT: 957
DWT: 2530
DWCC Summer: 2380
DWCC Winter: 2280

Main dimensions

LOA: 81,70
LPP: 77,20
Breadth: 11,00
Depth mld: 5,67
Draft: 4,462
Airdraft ballast: 19,8 (masts lowered 10,42)
Airdraft loaded: 18,74 (masts lowered 9,36)
Deck cargo: Max height 300 cm

Cargo hold

Grain/bale: 3552 m3 / 125424 cuf
Timber cap: 3400 m3 LP
Tank top: 15,0 t/m2
Hatch: 1,5 t/m2

Propulsion

Main Engine: Caterpillar 3512 B
ME Output: 749 kW
Bowthruster: Scania 279 kW
Propeller: 4-blade, fixed pitch
Speed (ballast): 11,0 kn
Speed (loaded): 10,0 kn
Consumption: 4,5m3 / day MDO

Tankcapacity

Ballastwater: 1081 m3
MGO: 136,04 m3